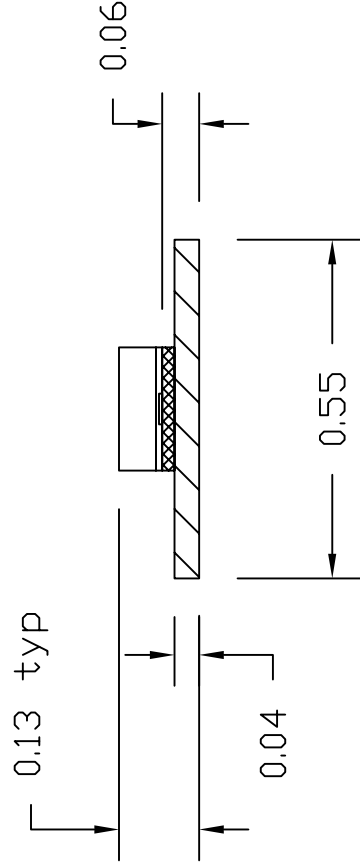


$\pm 0.005 \pm / - .001$



- *Dimension in inches
- *Ceramic lid is epoxied on
- *Lead material is Alloy 42 (Ni-Fe)
- *Leads are plated with 100 microinch of gold over 100 microinch of nickel.
- *Flange material is copper tungsten
- *Beo- Beryllium Oxide is toxic when inhaled in power form



DRN BY EC	11/15/11	Polyfet RF Devices	
CHKD		Polyfet GP Package	
ELECT		SIZE	FSCM NO.
MECH		A	
PRDC		QUAL	REV
QUAL			
PGMS			