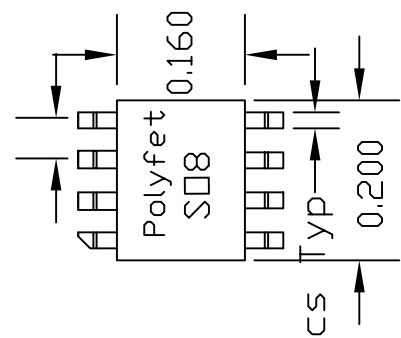
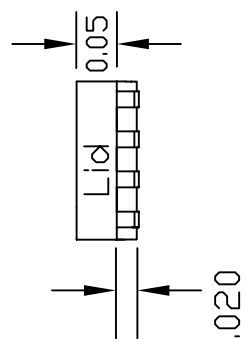


0.05 PITCH, 6 PLCS



0.020, 8 Plcs



- \*Dimension in inches
- \*Ceramic lid is epoxied on
- \*Lead material is Alloy 42 (Ni-Fe)
- \*Leads are plated with 100 microinch of gold over 100 microinch of nickel.
- \*BeO- Beryllium Oxide is not used

DRN BY CHKD	11/18/08	Polyfet RF Devices	
ELECT		Polyfet S08 Package	
MECH		SIZE	FSCM NO.
PRDC		A	REV
QUAL			
PGMS			