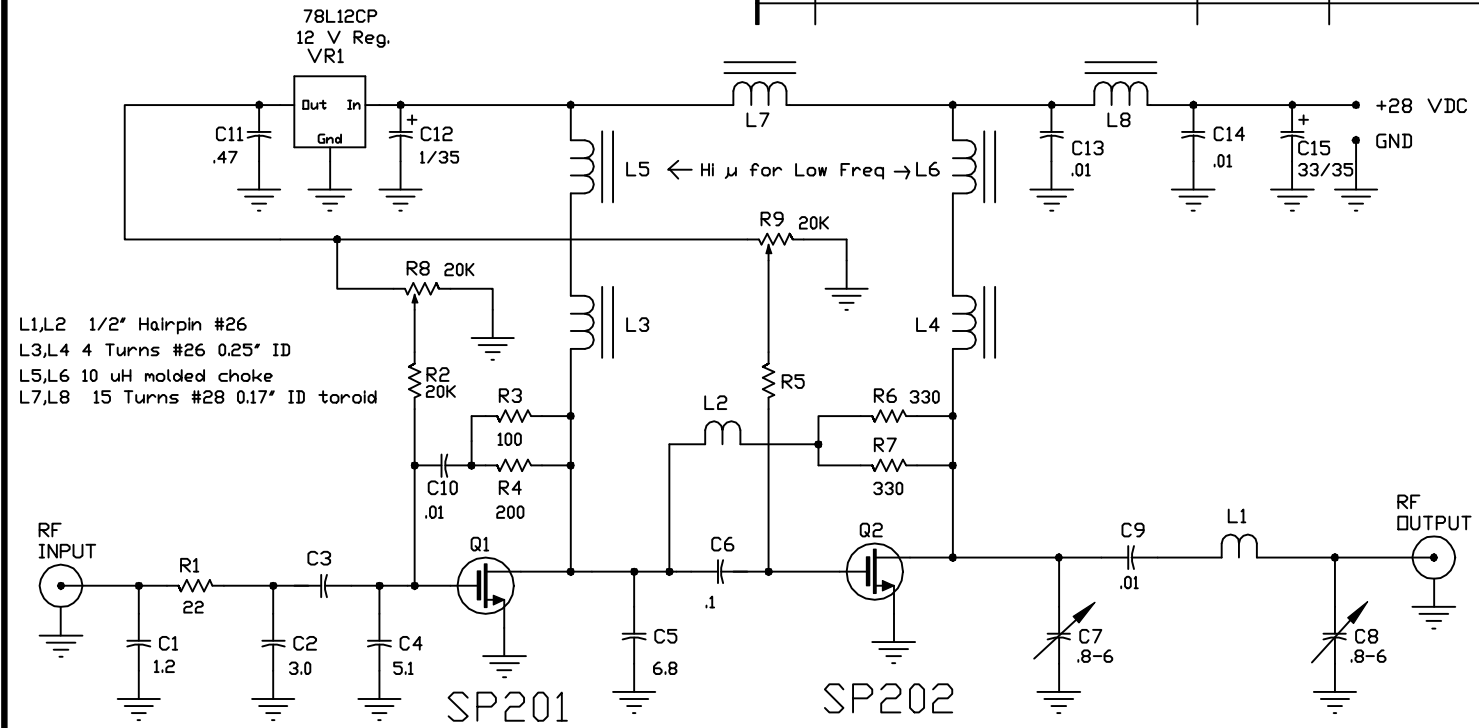


REVISIONS			
REV	DESCRIPTION	DATE	APPROVED



L1,L2 1/2" Hairpin #26
 L3,L4 4 Turns #26 0.25" ID
 L5,L6 10 uH molded choke
 L7,L8 15 Turns #28 0.17" ID toroid

GAIN = 20dB
 FLATNESS = ±1/2dB
 INPUT RET. LOSS = 10dB MIN.
 LOW END CUT OFF = -1dB AT 0.5 MHz.
 SAT. P.O. = 6W 5-1000 MHz
 HARMONICS = -30dB @ 2W Po
 28V 400 mA IDQ

DRN BY S. K. LEONG	5/15/99	POLYFET RF DEVICES	
CHKD		SCHEMATIC	
ELECT		1-1000 MHz LINEAR AMPLIFIER	
MECH		SIZE A	REV
PRDC		FSCM NO.	TB-101
QUAL			
PGMS		SCALE:	SHEET OF

graph

