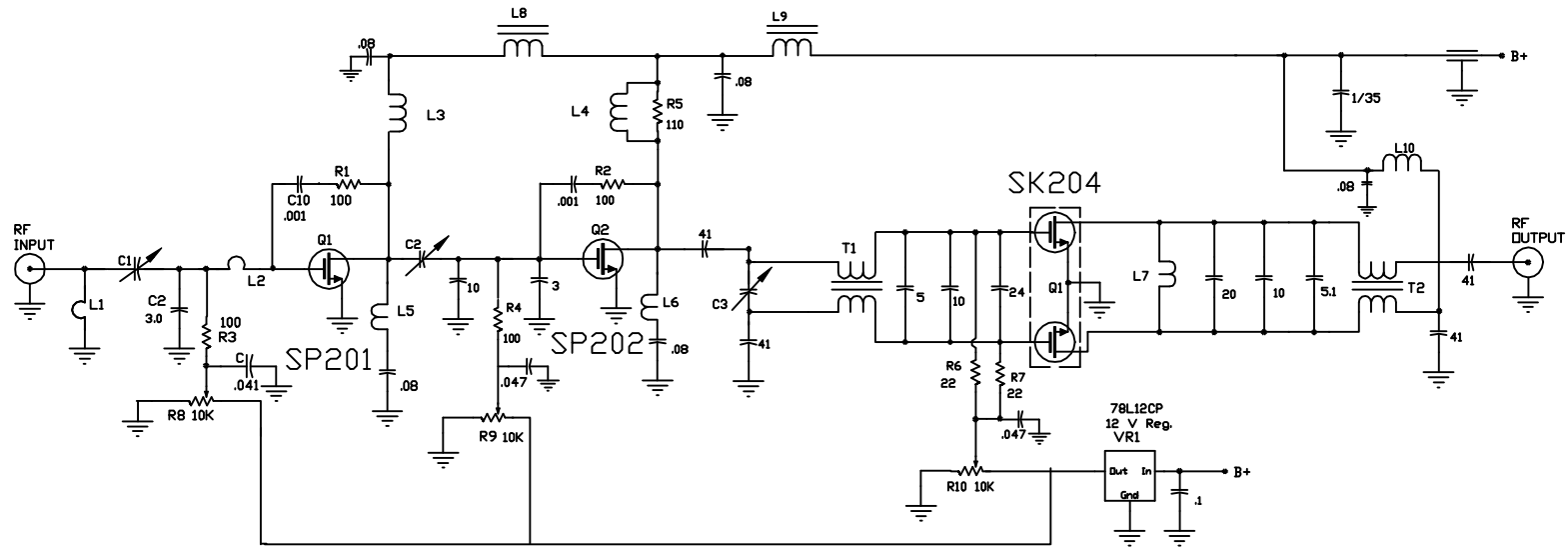


REVISIONS

REV	DESCRIPTION	DATE	APPROVED



T1 & T2 = 2.5' 25ohm SEMIRIGID COAX (UNIFORM TUBE #UT-34-25)

L1 = 1/2' #26 WIRE, HAIRPIN

L2 = 1/4' #30 WIRE, HAIRPIN

L3 = 3 TURNS, #26 WIRE, 1/8" ID

L4 = 6 TURNS, #26 WIRE ON 1/4" W RESISTOR BODY

L5, L6 = LEAD INDUCTANCE OF .082UF MONDLYTIC CAP

L7 = 3/4' #26 WIRE, HAIRPIN

(AMIDON FT-23-43)

L8,L9,L10 = 8 TURNS, #26 WIRE ON FERRITE CORE

C1,C2,C3 = 3-10PF CERAMIC (SPRAGUE GKW-10000)

DRN BY S. K. LEONG	5/15/99	POLYFET RF DEVICES	
CHKD		SCHEMATIC	
ELECT		600-800MHz 10WATT AMPLIFIER	
MECH		SIZE FSCM ND.	REV
PRDC		A	TB-116
QUAL		SCALE:	SHEET 1 OF 1
PGMS			

