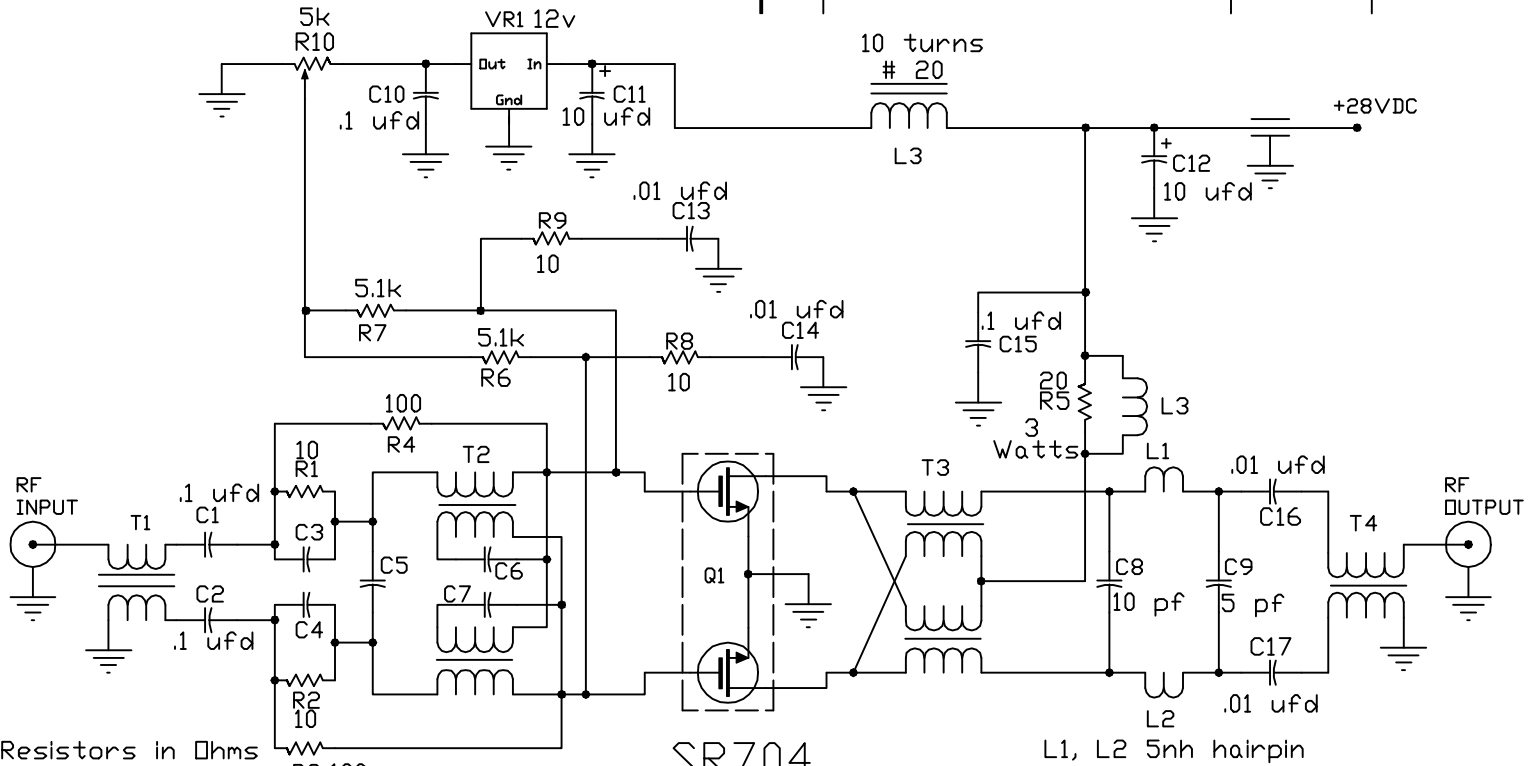


REVISIONS

REV	DESCRIPTION	DATE	APPROVED



Resistors in Ohms
 C3 - C5 20 pfd
 C6, C7 0.1 ufd

T1=5" 0.034 O.D. 50ohm COAX
 AMIDON BN-43-202 FERRITE CORE
 T2=2X3" 0.034 O.D. 17ohm COAX
 2X3 AMIDON BN-43-2402 FERRITES
 T3=2X12" 25ohm COAX IN
 2X6 AMIDON FT-50-61 CORES
 T4=9" 50ohm COAX IN
 4 BN-43-202 FERRITES

SR704

L1, L2 5nh hairpin

DRN BY S. K. LEONG	5/15/99	POLYFET RF DEVICES	
CHKD		SCHEMATIC	
ELECT		10-200 MHz 100W AMPLIFIER	
MECH		SIZE A	FSCM NO. TB-117
PRDC		SCALE:	REV
QUAL			
PGMS			SHEET OF

