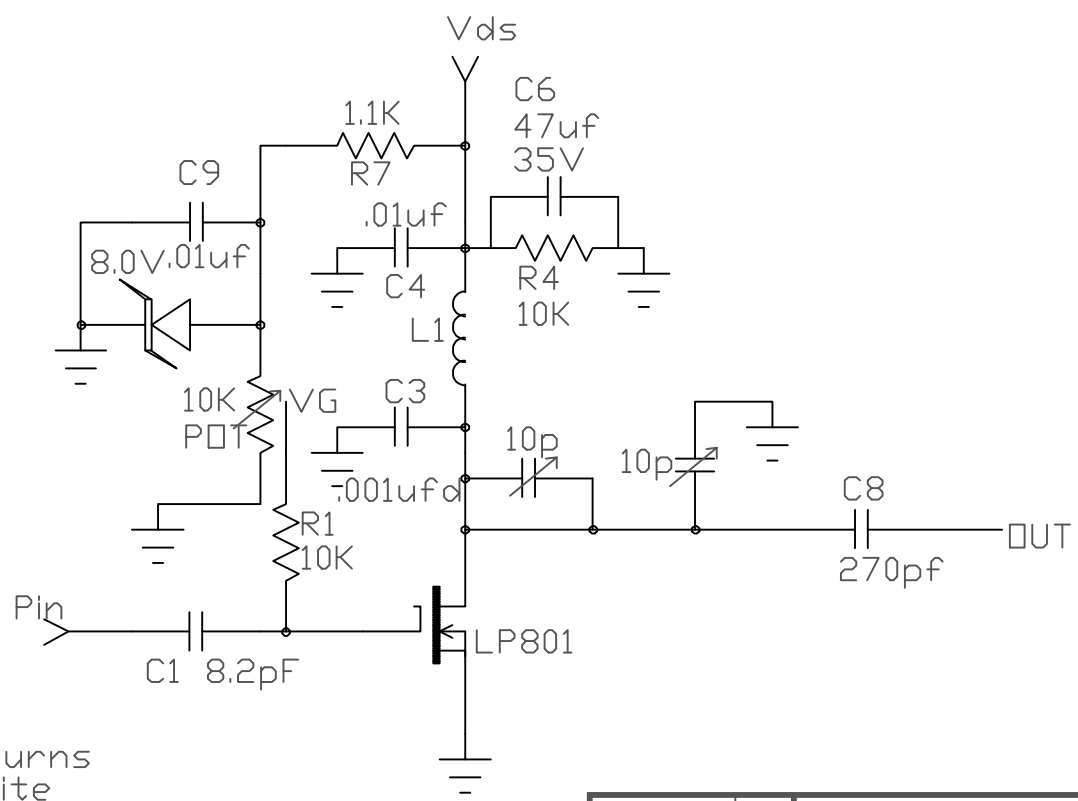


REVISIONS

REV	DESCRIPTION	DATE	APPROVED



L1 22 Awg 10 turns
2000mu ferrite

DRN BY J. Citrolis/15/99		Polyfet RF Devices	
CHKD		15W 13dB 900Mhz 28V	
ELECT		SIZE	FSCM NO.
MECH		A	TB 128
PRDC			REV
QUAL			
PGNS			