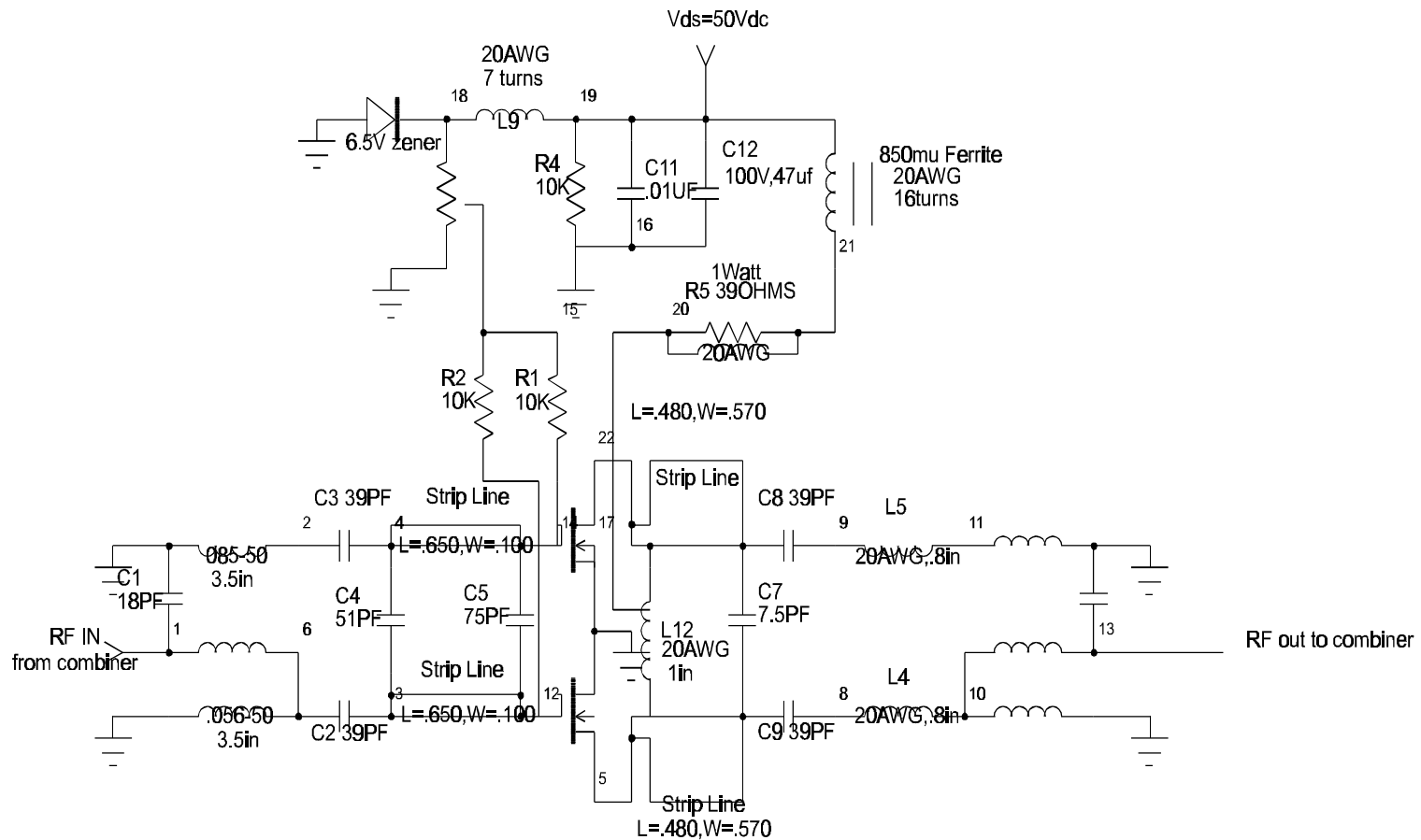


DRAWN BY:	DATE:	POLYFET RF DEVICES	
S. K. Leong	5/15/99		
		180W 50v 285Mhz Paging Amp - Driver	
SIZE	FSCM NO.	TB-129 A	REV.
A			
SCALE:		SHEET OF	



Half of Output Stage Shown.
Two quadrature combined for final

DRAWN BY:		DATE:		POLYFET RF DEVICES	
S. K. Leong		5/15/99			
180W 50v 285Mhz Paging Amp					
SIZE	FSCM NO.	TB-129 B		REV.	
A					
SCALE:				SHEET OF	

