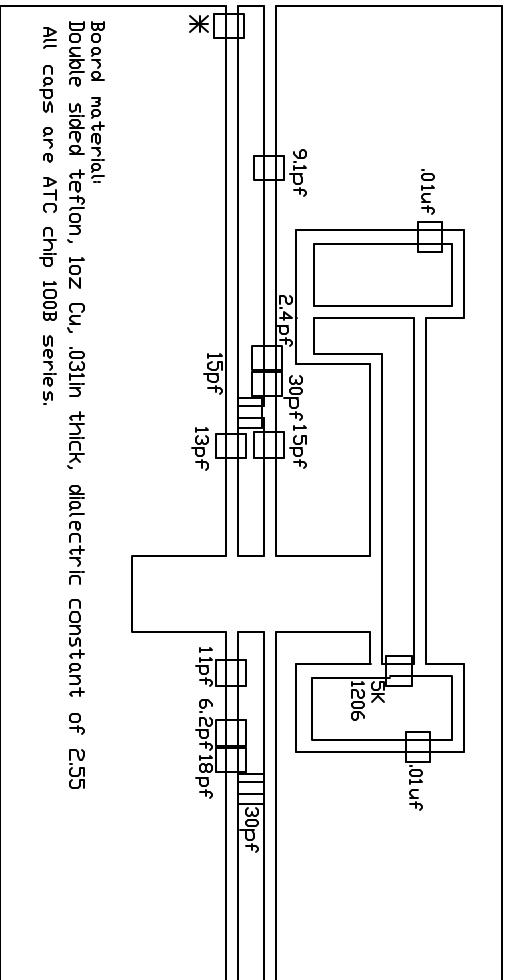


DRN :	J Citrolo	08/31/00
CHK :	E. Greenbaum	09/01/00
ELECT :		
MECH :	K. S. Tay	08/31/00
PROC :		
QUAL :		
PGMS :		

Polyfet RF Devices		
450-470MHZ, 35W, 12.5V		
Size	FSCM NO	Rev
TB 148		.
Scale		Sheet 1 of 1



* REFER TO SCHEMATIC FOR INPUT LC TUNING CIRCUIT.

DATE	Ed C.	R/26/01	Polyfet RF Devices	
DESIGN			TB148,450-470mhz,12.5Vdc	
SIZE	A		LP722	REV
FORM				