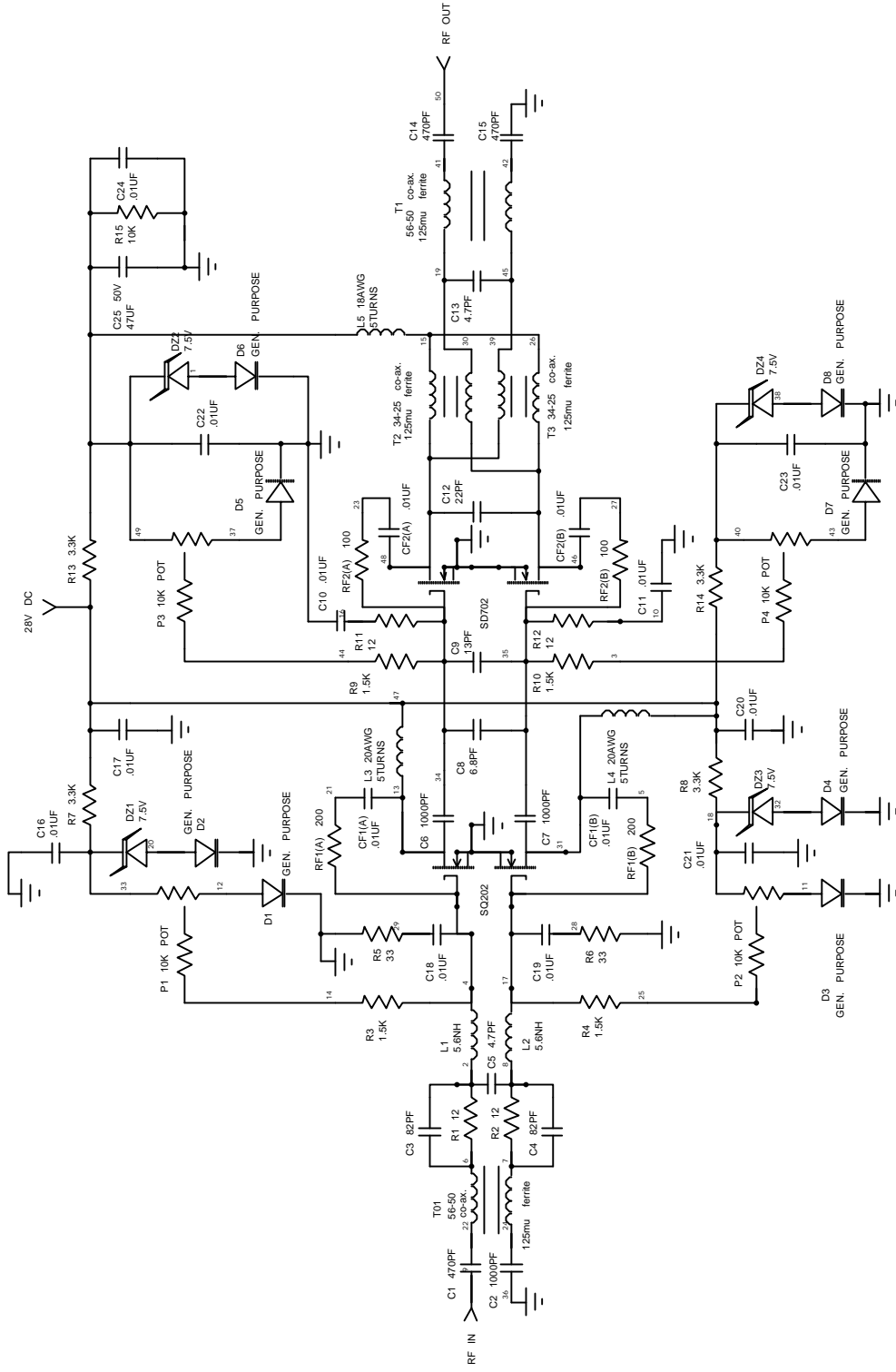


PCB Material : Double Side Teflon
 ER=2.5, H=31, T=1.4

SYMBOL	VALUE	DESCRIPTION
C01/C14	4.70pF	ATC1003 CHIP CAP.
C02/C06/C07/C13	1000pF	ATC1003 CHIP CAP.
C03/C04	B2pF	ATC1003 CHIP CAP.
C05/C13	4.7pF	ATC1003 CHIP CAP.
C08	6.8pF	ATC1003 CHIP CAP.
C09	13pF	ATC1003 CHIP CAP.
C04/C06/C07/C08/C09	01uF	ATC1003 CHIP CAP.
C08/C09/C20/C22/C24	01uF	ATC1003 CHIP CAP.
C12	22pF	ATC1003 CHIP CAP.
C25	47uF	50V Electrolytic Cap.
L01, LD2	56nH	1210 Chip Ind.
L03, LD4	---	120 AWG 5 Turn
L05	---	HFB AVG 5 Turn
V01	---	HISANG Wire Bridge
T01/T04	2500mil	300W Coaxial Transformer
T02/T03	2500mil	150W Coaxial Transformer
R01/R02/R11/R12	120ohm	1206 Chip Res.
R03/R04/R09/R10	150ohm	1206 Chip Res.
R05/R06	330ohm	1206 Chip Res.
R07/R08/R13/R14	330ohm	1206 Chip Res.
R15	10Kohm	1206 Chip Res.
P01/P02/P03/P04	10k	6x6mm Potentiometer
Z01/Z02/Z03/Z04	5.5V	50mA Chip Zener
J01--J08	5.5V	30mA Chip Zener
VDD	28V	DC Power Supply
Bias1	400mA	Bias Current
Bias2	800mA	Bias Current
Cf1/Cf2	60uF	ATC1003 Chip Cap.
Rf1	200ohm	1/2W Metal Film Res.
Rf2	100ohm	1/2W Metal Film Res.

DRN BY: ZHOU JUN	10/18/2K
CHKD :	
ELECT :	
MECH :	
PRUC :	
QA/L :	
PGMS :	

POLYFET RF DEVICES	
30--500MHZ Amplifier	
SIZE	FSCH N0
PCB LAYOUT	REV 4
SCALE : 1 : 1	SHEET 1 OF 1



DRN :	J Citrolo	10/19/00
CHK :	E. Greenbaum	10/24/00
ELECT :		
MECH :	K. S. Tay	10/19/00
PROC :		
QUAL :		
PGMS :		

Polyfet RF Devices		
30 - 512MHz, 40W, 28V		
Size	FSCM NO	Rev
Scale	Sheet 1 of 1	