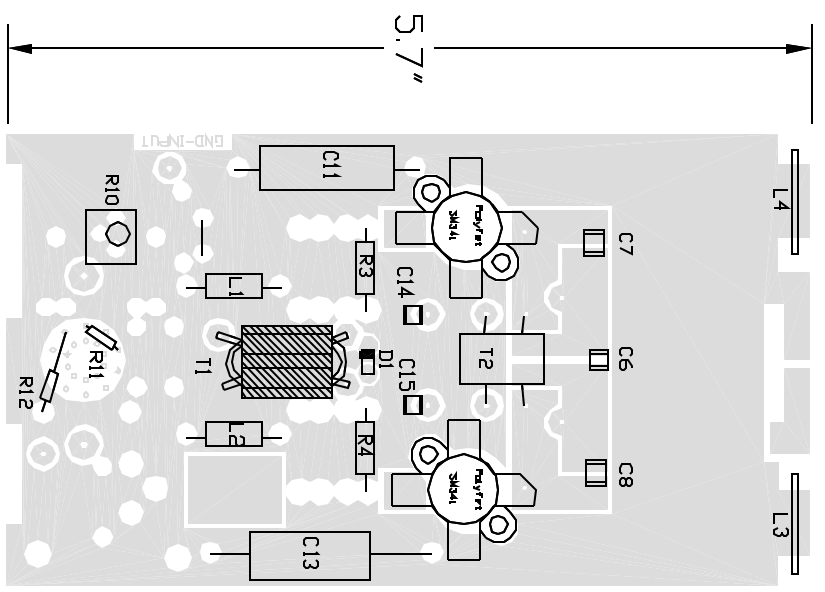
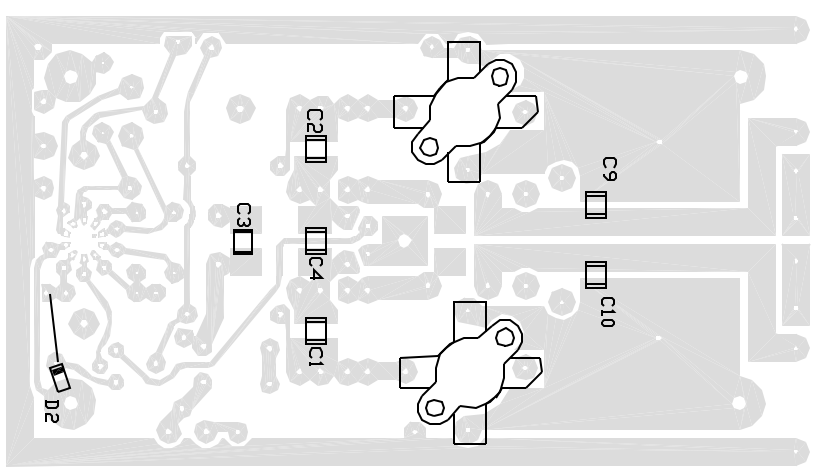




# TOP VIEW



# BOTTOM VIEW



SYMBOL	VALUE	DESCRIPTION
C1,C2	5.6nF	CHIP CAP.
C3	56pF	CHIP CAP.
C4	470pF	CHIP CAP.
C6	75pF	CHIP CAP.
C7,C8	0.1uF	CHIP CAP.
C9,C10	0.33uF	CHIP CAP.
C11	10uF	100V Electrolytic
C13	1000uF	10V Electrolytic
C14,C15	10000pF	ATC100B chip cap
R3,R4	15	1/4W axial
R10	1K	potentiometer
R11	100	1/4W axial
R12	8.2K	1/4W axial
L1,L2	FERRDXCUBE VK200	19/4B
L3,L4	ferrite choke	
T1	56 590 65/3B	ferrite core STACKPOLE
T2	57-1845-24B	
T3	7 turns of twisted pair AWG#20, ferrite core STACKPOLE 57-9322	

PCB Material : Double Side FR4  
 ER=3.55, H=0.064", 2 ounce copper

DESIGNED BY	Cunninghamham	DATE	10/8/02	Polyfet RF Devices	
CHECKED	Cunninghamham	DATE	9/12/02		
ELECT	Cunninghamham	DATE	8/12/02		
MECH	Cunninghamham	DATE	8/8/02		
PROJECT	SM341 2-30MHz 300W 50V			SCALE	1:1
QUAL	TB172 LAYOUT			REV	0
POKES					

Top View of TB172  
Dual SM341  
50V 300 Watt  
2-30 Mhz

