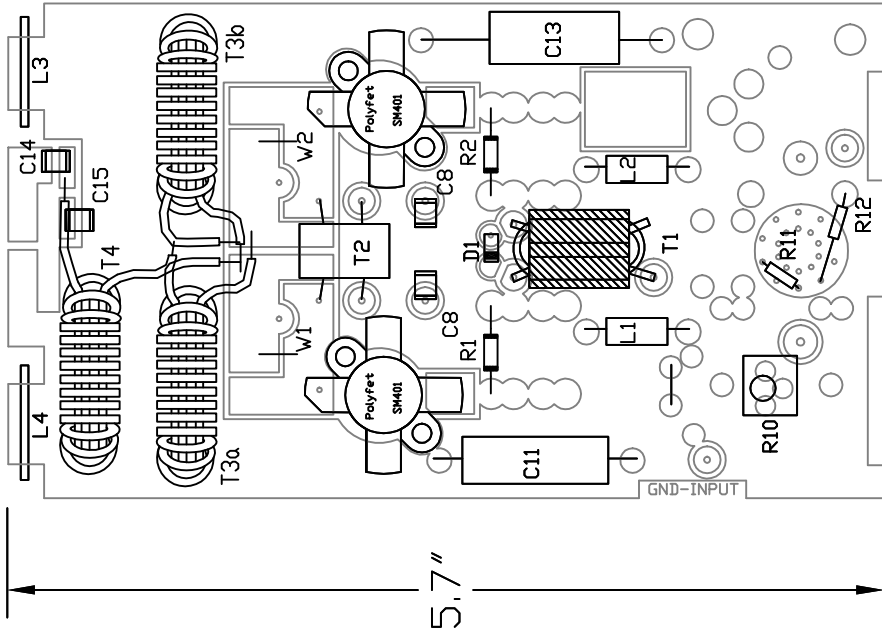
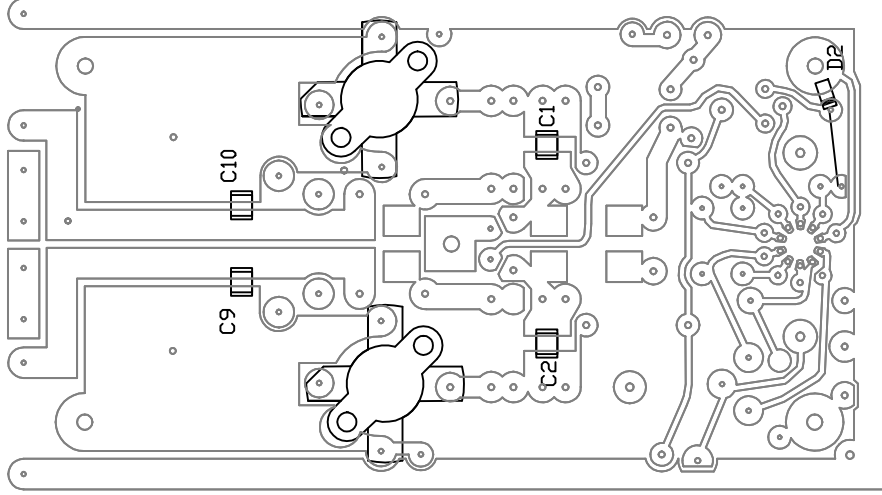


TOP VIEW



BOTTOM VIEW



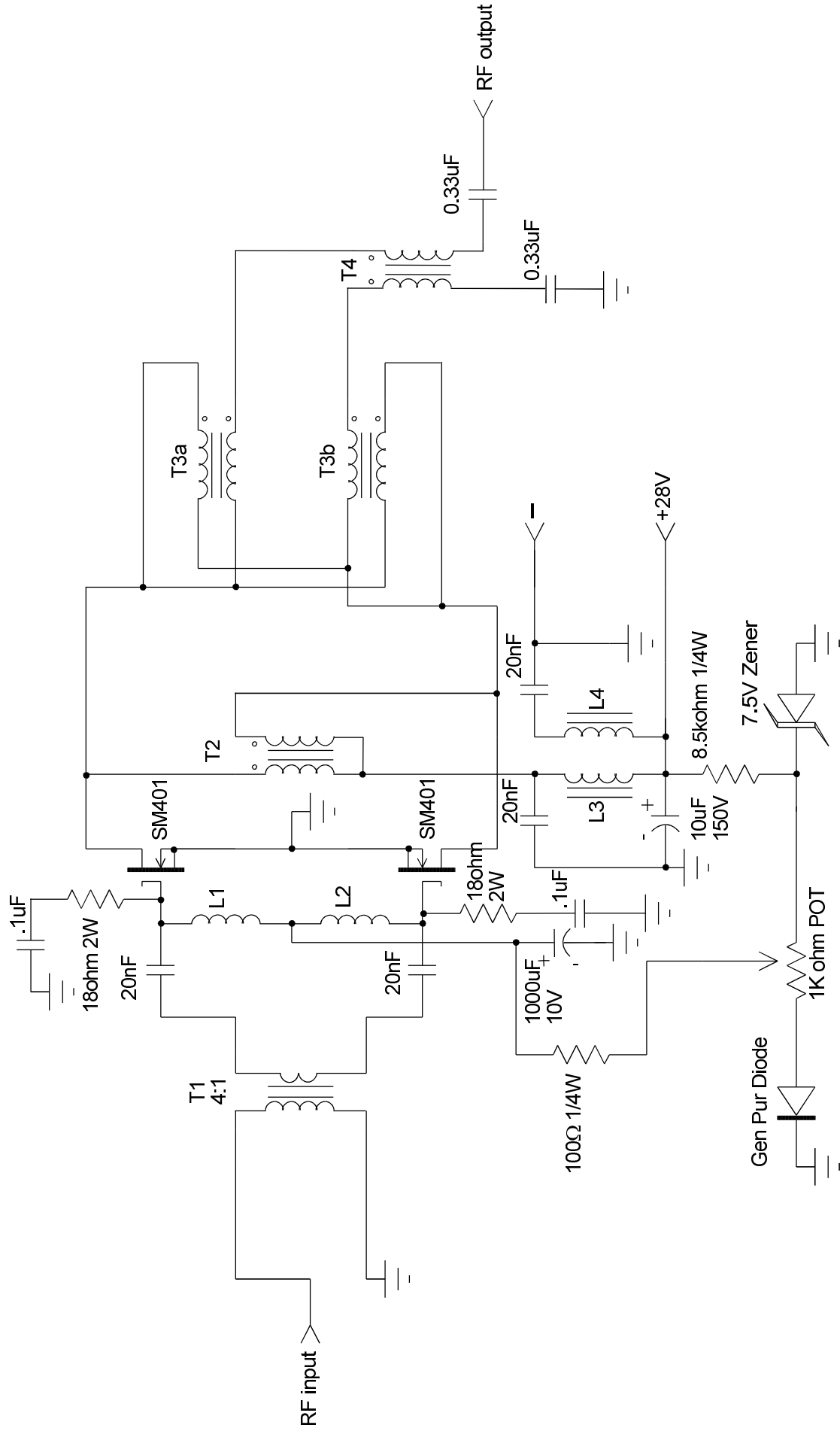
SYMBOL	VALUE	DESCRIPTION
C1,2,9,10	20nF	CHIP CAP.
C7,C8	0.1uF	CHIP CAP.
C14,C15	0.33uF	CHIP CAP.
C11	10uF	100V Electrolytic
C13	1000uF	10V Electrolytic
R1,R2	18	2W axial
R10	1K	potentiometer
R11	100	1/4W axial
R12	8.2K	1/4W axial
D1,D2	7.5V	Zener diode
W1, W2		wire short
L1,L2	Ferroxcube VK200 19/4B	
L3,L4	ferrite choke	
T1	6 beads each, FERROXCUBE	
T2	56 590 65/3B	ferrite core STACKPOLE
T3a & b	ferrite core STACKPOLE	
T4	Amidon T94-3	
	5 turns of twisted quad	
	AWG#22, ferrite core 35mu	
	20" of 21 ohm, flex. cable	
	4 times through 16 of 125mu	
	toroid. 9:1	
	20" of 50 ohm, flex. cable,	
	4 times through, 16 of	
	125mu toroid. balun	

DRN BY	Cunningham	12/3/02
CHKD	Cunningham	12/3/02
ELECT	Cunningham	12/27/02
MECH	Cunningham	11/21/02
PRDC		
QUAL		

Polyfet RF Devices	
SM401	2-30MHZ 150W 28V
SIZE	SCALE
1:1	TB177A LAYOUT
REV	0

PCB Material : Double Side FR4
 ER=3.55, H=0.064", 2 ounce copper





L1, L2: Ferroxcube VK200 19/4B

L3, L4: 6 ferrite beads each Ferroxcube 56 590 65/3B

T1: Ferrite core Stackpole 57-1845-24B

T2: 5 turns of twisted quad AWG#22, through Amidon T94-3, 35mu

T3a, b: 20in. of 21 ohm, flexible cable. 4 times through 16 of 125mu toroid. 9:1

T4: 20in. of 50 ohm, flexible cable, 4 times through 16 of 125mu toroid. balun

DRN BY: E Cunningham	12/4/2002
Elec: E Cunningham	12/27/2002
MECH: E Cunningham	11/21/2002

Polyfet RF Devices

TB177A 2-30MHz 150W SM401 push-pull

Vds=28V

