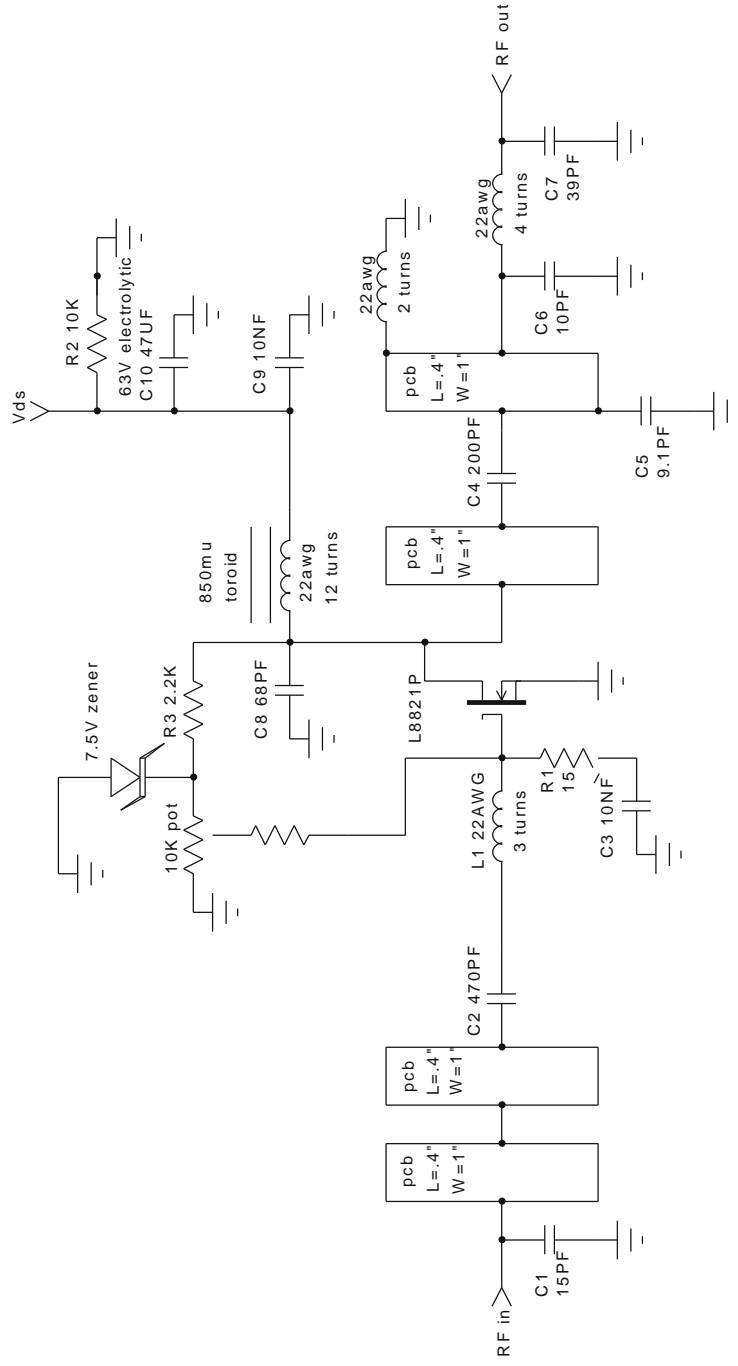


SYMBOL	VALUE	DESCRIPTION
C01	15pf	ATC100B CHIP CAP.
C02	470pf	ATC700B CHIP CAP.
C03,C10	10nf	ATC200B CHIP CAP.
C04	68pf	ATC100B CHIP CAP.
C05	200pf	ATC100B CHIP CAP.
C06	9.1pf	ATC100B CHIP CAP.
C07	10pf	ATC100B CHIP CAP.
C08	39pf	ATC100B CHIP CAP.
C09	47uf	25V electrolytic
R01	10K	1210 Chip resistor
R02	15ohm	1/4W Axial resistor
R03	10k	1/4W Axial resistor
R04	2.2K	1/4W Axial resistor
P01	10K	Multi-turn pot
L01	22AWG	3 turns .075" dia
L02	22AWG	2 turns .075" dia
L02	22AWG	4 turns .075" dia
D01	7.5V	Zener
PCBmaterial	Er=2.55	1oz, .032" thick
Q1	L8821P	Polyfet Transistor

DRN BY	J.Citrolo	02/10/03
CHKD		
ELECT		
MECH		
PRDC		
QUAL		
PGMS		

Polyfet RF Devices	
TB178 136-174MHZ 7W	
SIZE	FSCM NO. L8821P Vds=12Vdc Idq=400ma
A	
REV	



DRN BY	J. Citrolo	2/7/03
CHKD		
ELECT		
MECH		
PROC		
QUAL		
PGMS		
Polyfet RF Devices		
TB 178 136-174Mhz 7W		
SIZE	FSCM NO.	REV
		L8821P Vds=12Vdc Idq=400ma