

TB185

Frequency=290-320MHz

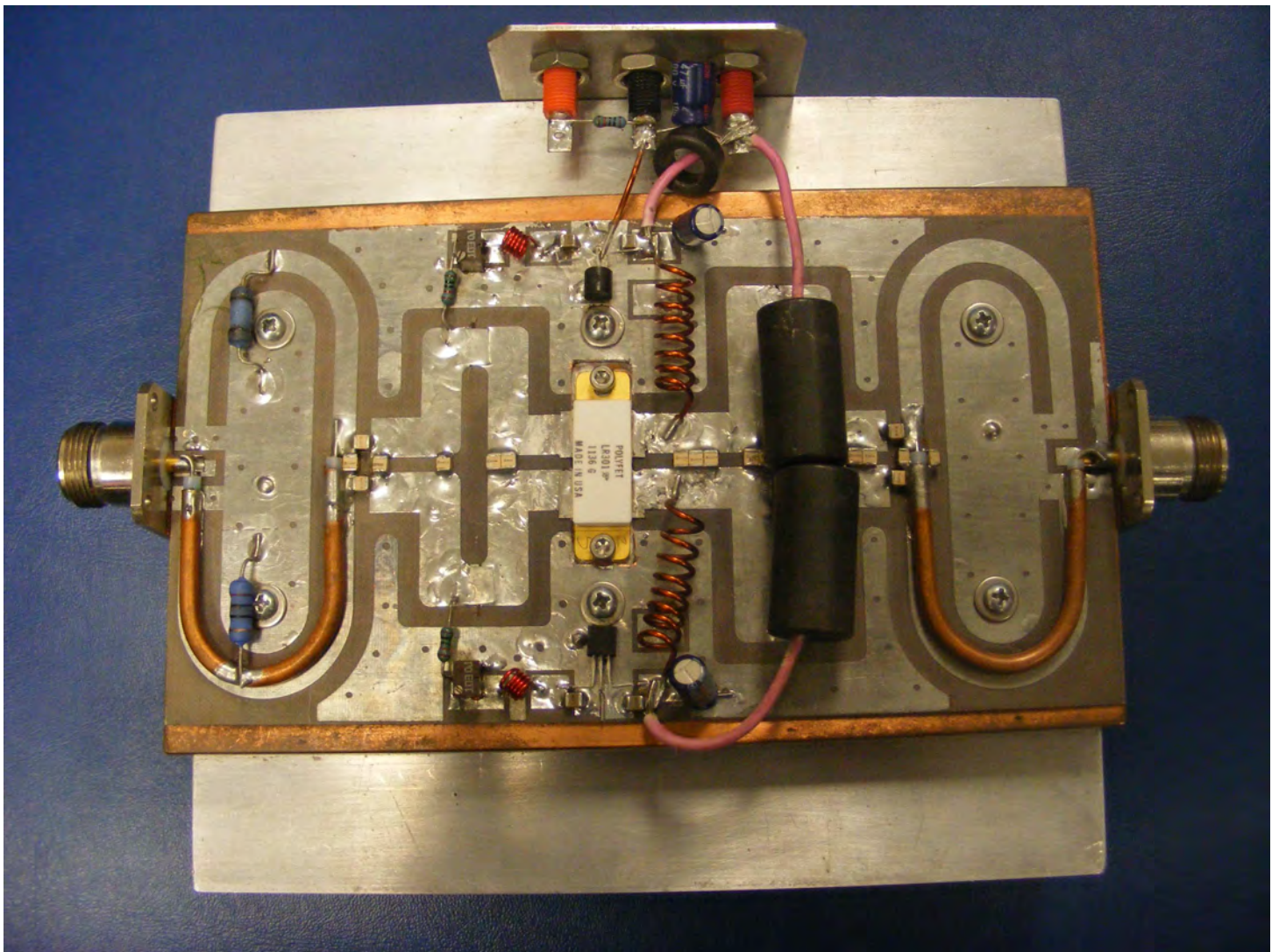
Pout=200W

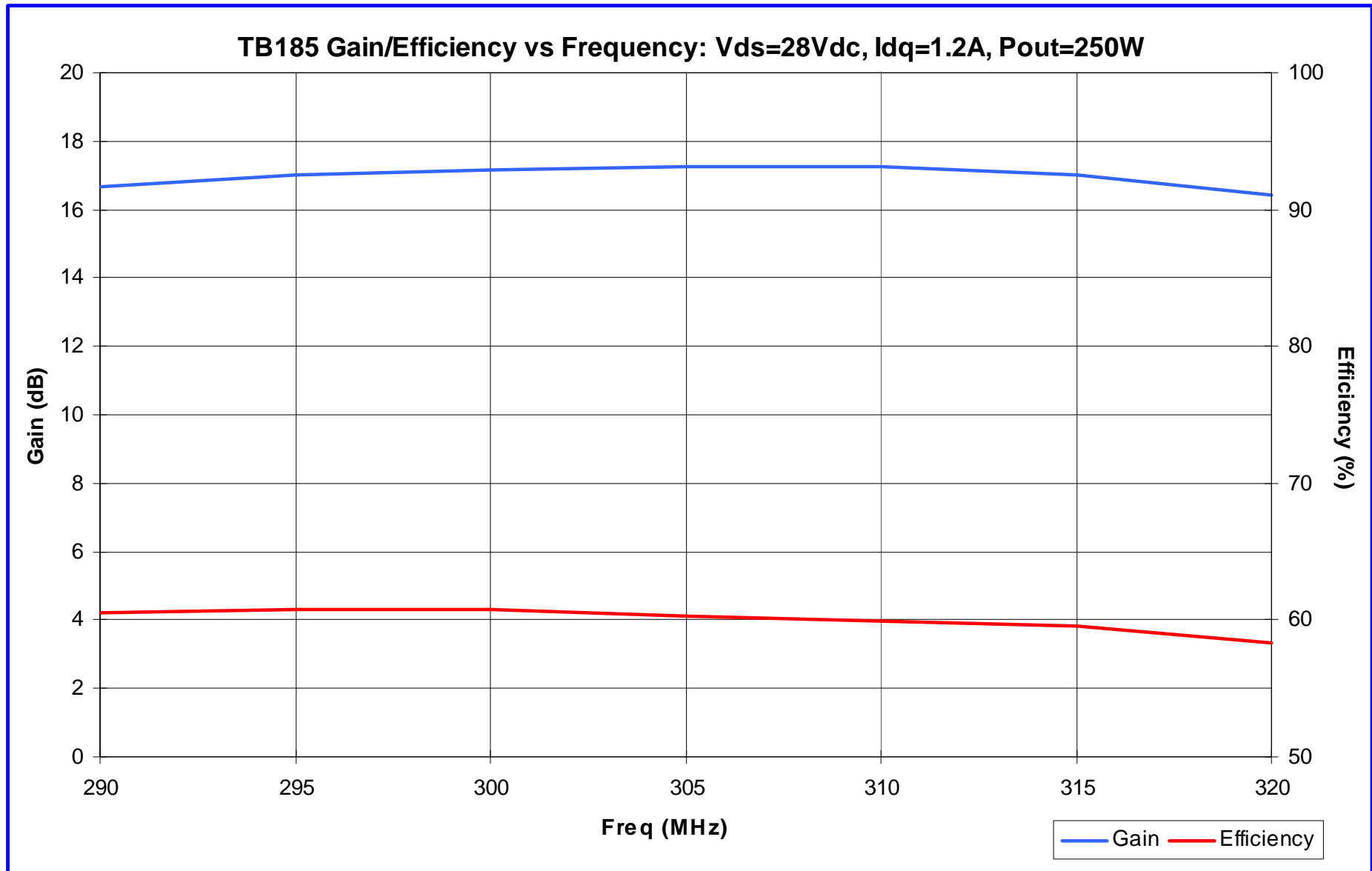
Gain=16dB

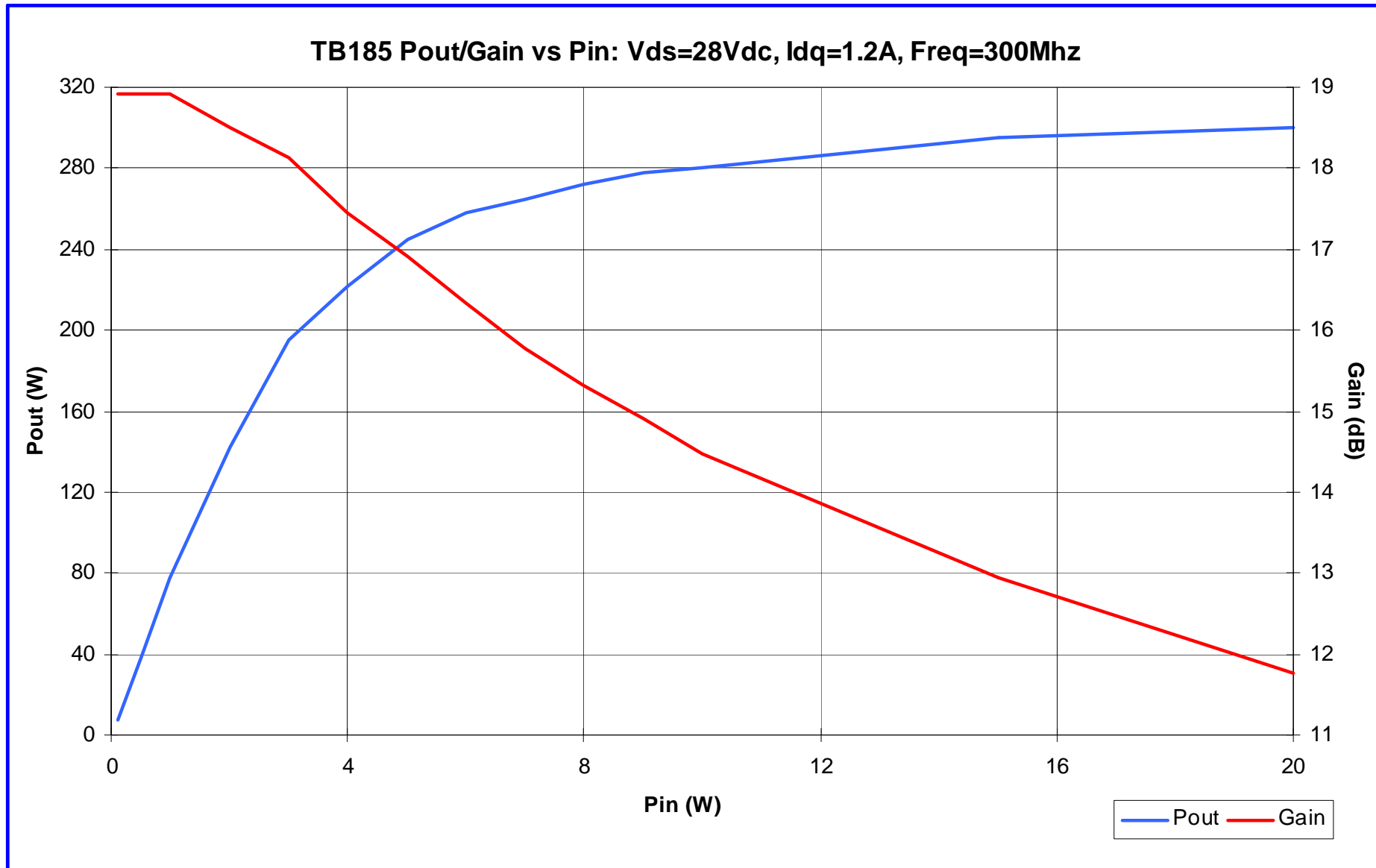
Vds=28Vdc

Idq=1.2A

LR301

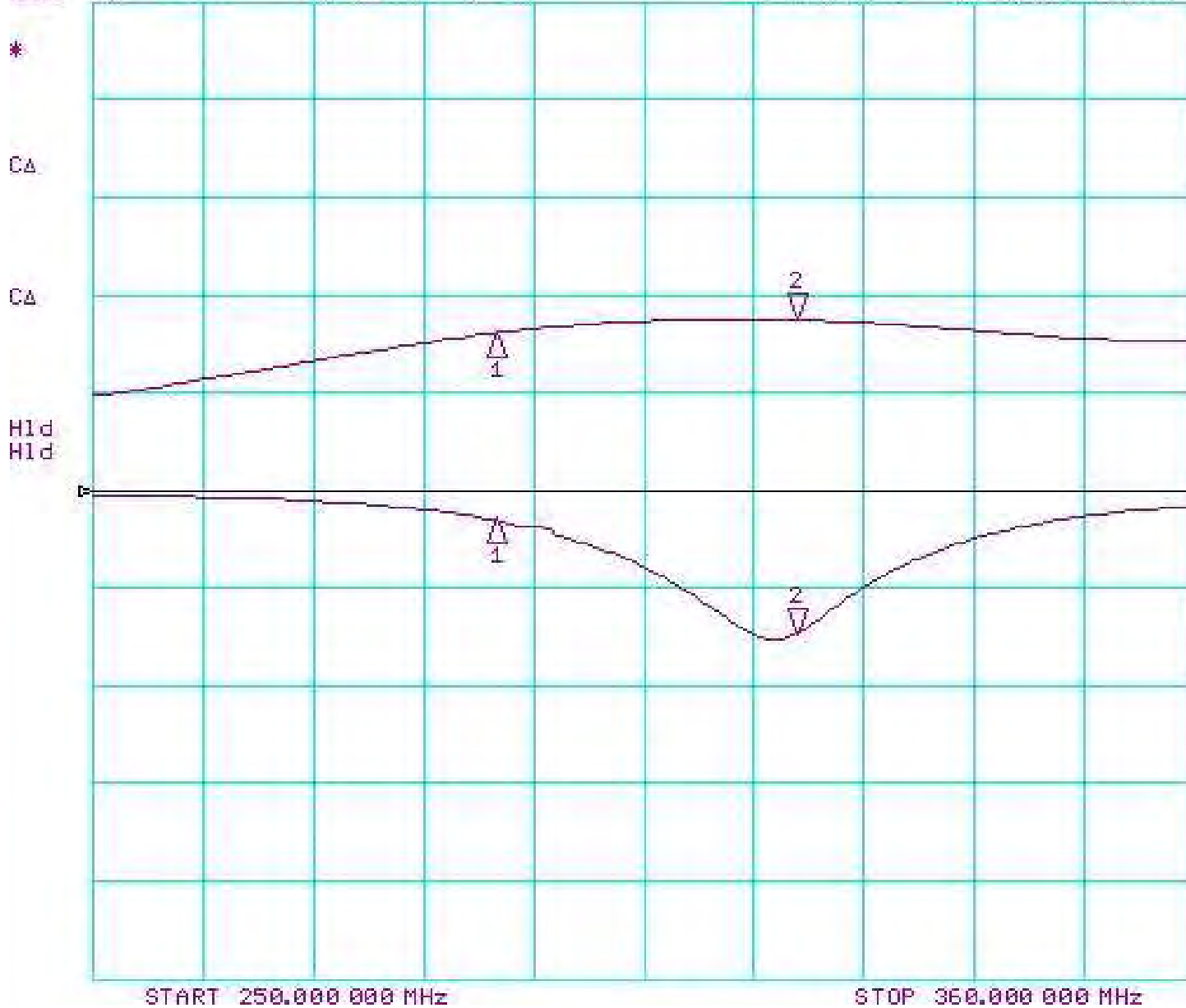






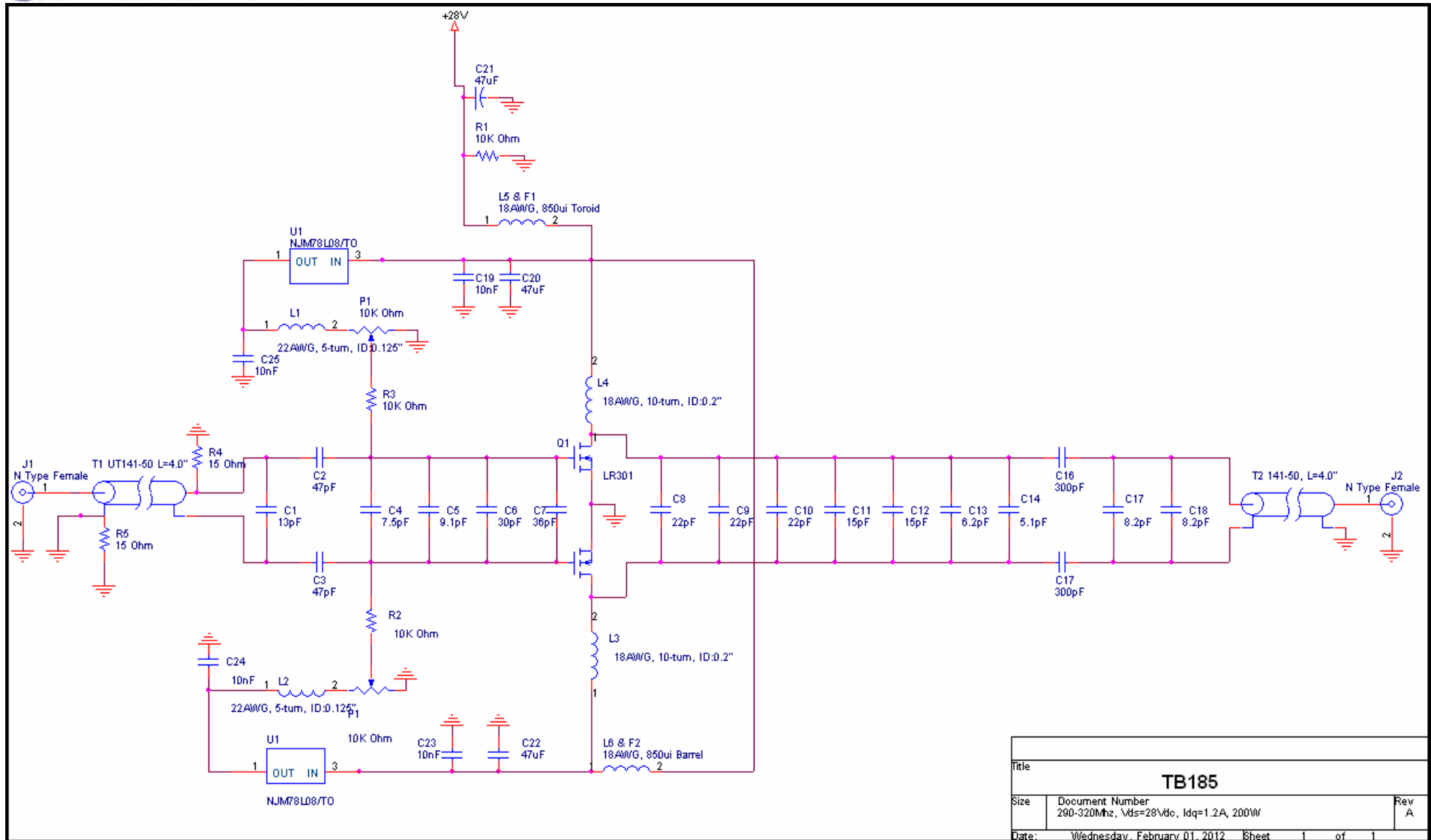
19 Jun 2003 09:55:13

CH1 S11 LOG 10 dB/REF 0 dB 2: -14.732 dB
 CH3 S21 LOG 10 dB/REF 0 dB 2: 17.505 dB 320.000 000 MHz

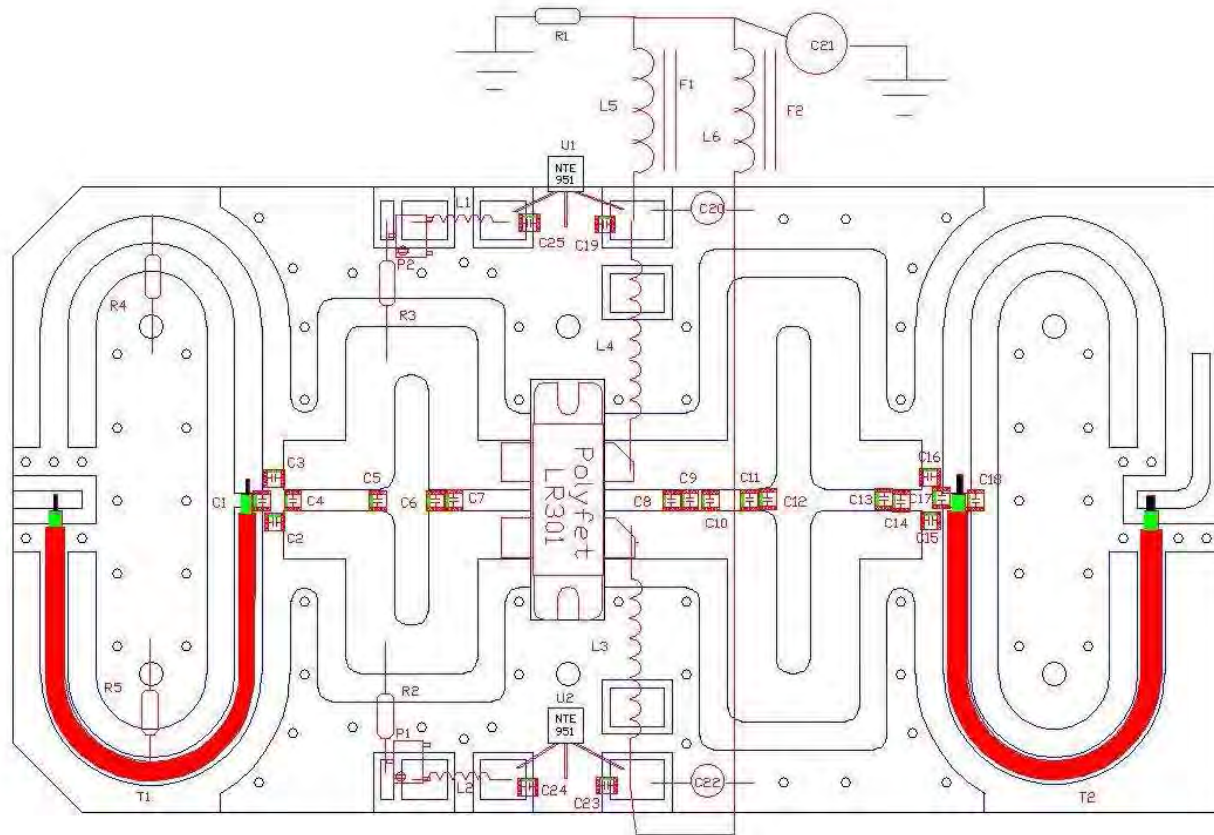


CH1 Markers
 1: -3.0602 dB
 290.000 MHz

CH3 Markers
 1: 16.101 dB
 290.000 MHz



Title		
TB185		
Size	Document Number	Rev
	290-320MHz, Vds=28Vdc, Idq=1.2A, 200W	A
Date:	Wednesday, February 01, 2012	Sheet 1 of 1



DRN BY:	J. Citrolo	6/19/03	POLYFET RF DEVICES	
CHKD	M. Cervantes	2/01/12		
ELECT :			TB185 290-320MHZ, 200W P1dB	
MECH :			SIZE	FSCM NO
PRDC :			LR301 Vds=28Vdc Idq=1.2A	
QUAL :			REV	A
PGMS :			SCALE : 1 : 1	SHEET 1 OF 1

NOMENCLATURE	DESCRIPTION	VENDER	VENDER PART #
C1	13pF Porcelain Superchip Multilayer Capacitor	ATC	100B130JW500X
C2,C3	47pF Porcelain Superchip Multilayer Capacitor	ATC	100B470JW500X
C4	7.5pF Porcelain Superchip Multilayer Capacitor	ATC	100B7R5JW500X
C5	9.1oF Porcelain Superchip Multilayer Capacitor	ATC	100B9R1JW500X
C6	30pF Porcelain Superchip Multilayer Capacitor	ATC	100B300JW500X
C7	36pF Porcelain Superchip Multilayer Capacitor	ATC	100B360JW500X
C8,C9,C10	22pF Porcelain Superchip Multilayer Capacitor	ATC	100B220JW500X
C11,C12	15pF Porcelain Superchip Multilayer Capacitor	ATC	100B150JW500X
C13	6.2pF Porcelain Superchip Multilayer Capacitor	ATC	100B6R2DW500X
C14	5.1pF Porcelain Superchip Multilayer Capacitor	ATC	100B5R1DW500X
C15,C16	300pF Porcelain Superchip Multilayer Capacitor	ATC	100B301JW200X
C17,C18	8.2pF Porcelain Superchip Multilayer Capacitor	ATC	100B8R2JW500X
C19,C23,C24,C25	10nF Ceramic Multilayer Capacitor	ATC	200B103KW50X
C20,C21,C22	CAP ALUM 47UF 100V 20% Radial, Panasonic - ECG	Digi-Key	P5312-ND
P1,P2	Trimmer Resistors - SMD 1/4 10Kohms 10%	Mouser Electronics	652-3269W-1-103GLF
R1,R2,R3	RES 10K OHM METAL FILM 1W 5%	Digi-Key	PPC10KW-1CT-ND
R4,R5	Metal Oxide Resistors 15ohms 5% Tol.	Mouser Electronics	281-15-RC
L1,L2	Magnet Wire,22AWG, 5-turns, I.D.=0.125",Aircoil	www.electromechanicsonline.com	MW220SPNRD
L3,L4	Magnet Wire,18AWG, 10-turns, I.D.=0.2",Aircoil	www.electromechanicsonline.com	MW180SPNRD
L5,L6	Belden Hock-Up Wire-Single Cond.18AWG 1C TFE	Mouser Electronics	566-83029-1000-06
F1	850ui Toroid	Amidon	FT-50-43
F2	850ui Barrel	Amidon	FB-43-5621
T1	50 ohm, Semi-Rigid Coaxial Cable, Length=4.0"	Amawave	UT-141-50
T2	50 ohm, Semi-Rigid Coaxial Cable, Length=4.0"	Amawave	UT-141-50
U1,U2	IC 8V POS-VOLT REG TO-92-3	Digi-Key	296-11124-5-ND
Q1	LDMOS	Polyfet RF Devices	LR301
J1,J2	N Female; 4 Hole Panel Mount	Pasternack	PE4013
PCB	PTFE/woven glass Er.=2.45- 2.65, 30mil 2oz/2oz	Taconic	TLX-9-0300-C2/C2