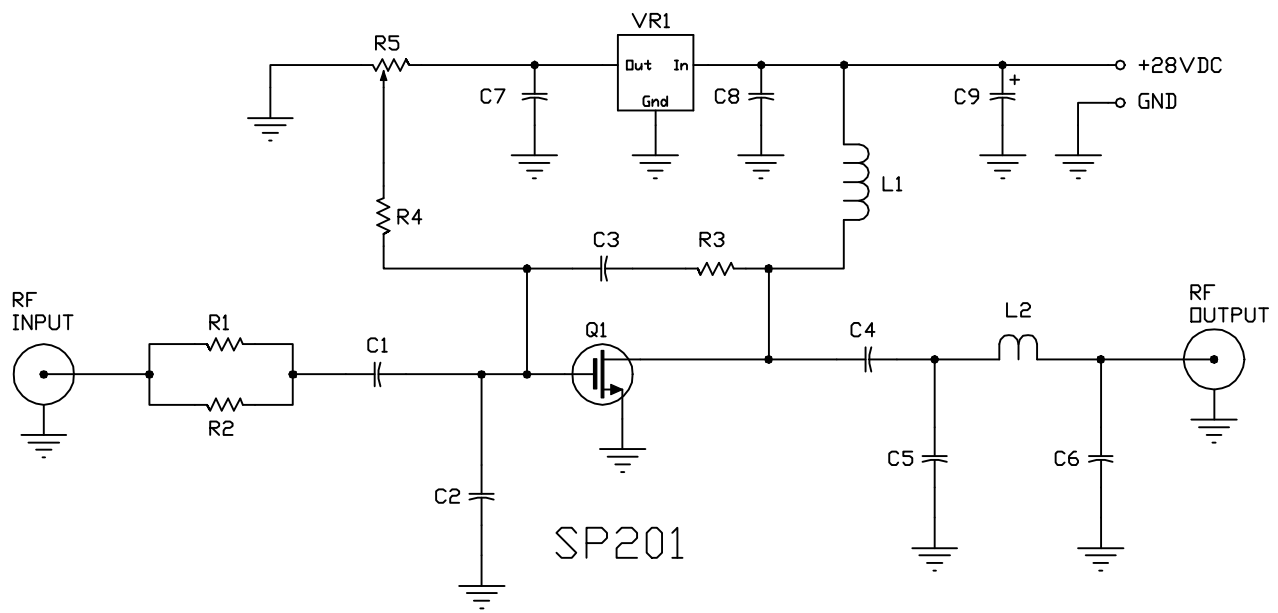
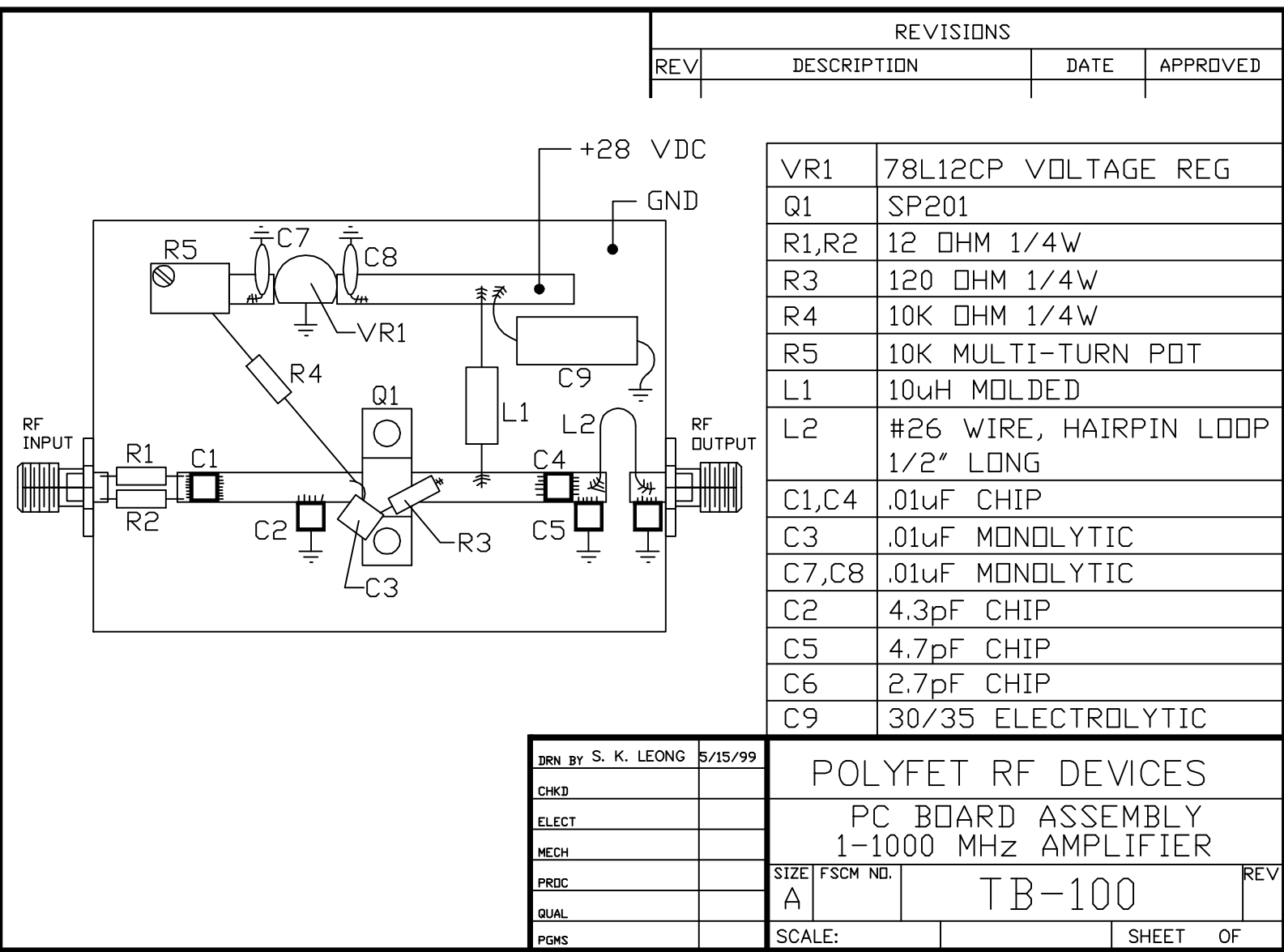


REVISIONS			
REV	DESCRIPTION	DATE	APPROVED



DRN BY S. K. LEONG	5/14/99	POLYFET RF DEVICES	
CHKD		SCHEMATIC	
ELECT		1-1000MHz AMPLIFIER	
MECH		SIZE A	REV
PROC		FSCM NO.	TB-100
QUAL		SCALE:	SHEET OF
PGMS			



REVISIONS			
REV	DESCRIPTION	DATE	APPROVED

VR1	78L12CP VOLTAGE REG
Q1	SP201
R1,R2	12 OHM 1/4W
R3	120 OHM 1/4W
R4	10K OHM 1/4W
R5	10K MULTI-TURN POT
L1	10uH MOLDED
L2	#26 WIRE, HAIRPIN LOOP 1/2" LONG
C1,C4	.01uF CHIP
C3	.01uF MONOLYTHIC
C7,C8	.01uF MONOLYTHIC
C2	4.3pF CHIP
C5	4.7pF CHIP
C6	2.7pF CHIP
C9	30/35 ELECTROLYTIC

DRN BY S. K. LEONG	5/15/99
CHKD	
ELECT	
MECH	
PRDC	
QUAL	
PGMS	

POLYFET RF DEVICES			
PC BOARD ASSEMBLY			
1-1000 MHZ AMPLIFIER			
SIZE	FSCM NO.	TB-100	REV
A			
SCALE:		SHEET	OF

