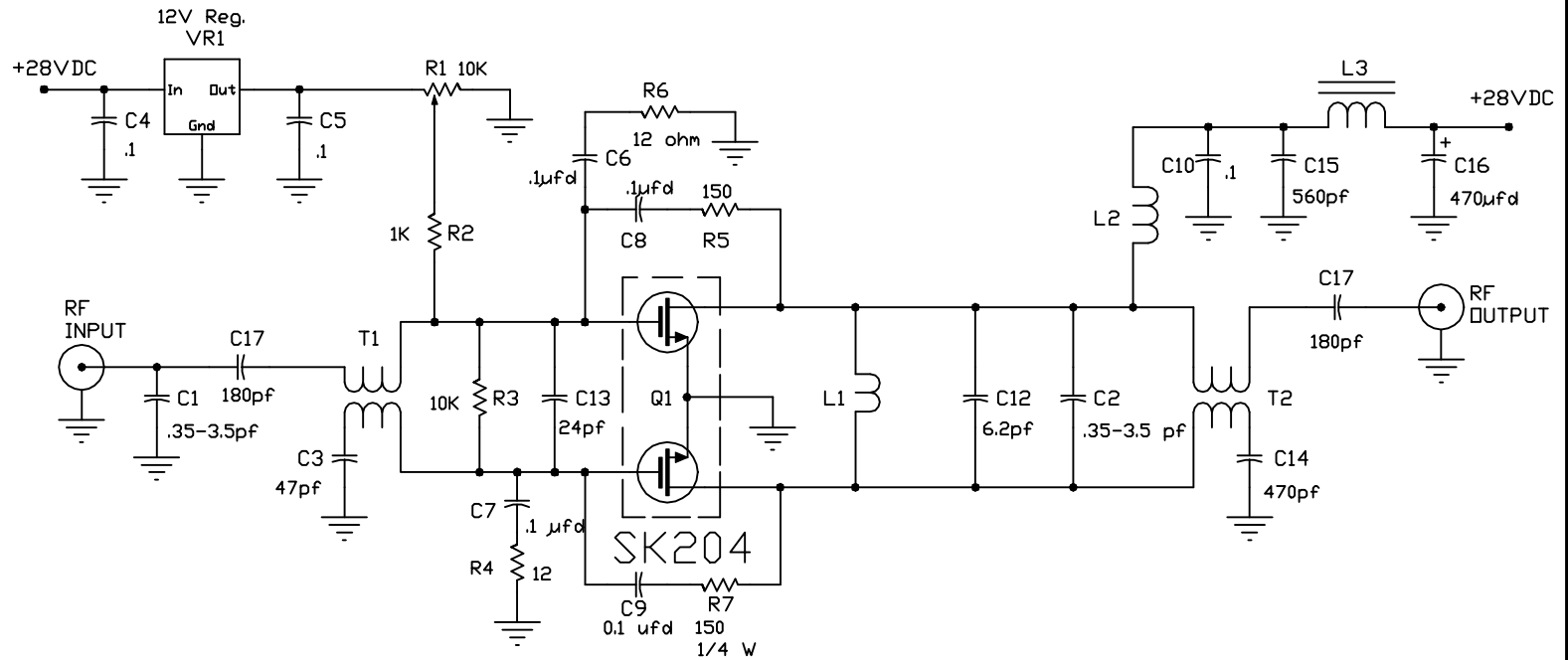


REVISIONS

REV	DESCRIPTION	DATE	APPROVED



L1 1/2" Hairpin #26
 L2 6 Turns #28 0.125" ID
 L3 4 Turns #22 thru' twin hole balun
 T1,2 Coax 25 ohm 0.034" 2" Long

DRN BY S. K. LEONG	5/15/99	POLYFET RF DEVICES	
CHKD		SCHEMATIC	
ELECT		460-870 MHz 20 WATTS	
MECH		SIZE A	FSCM NO. TB-104
PRDC		SCALE:	REV
QUAL			
PGMS			SHEET OF

graph

