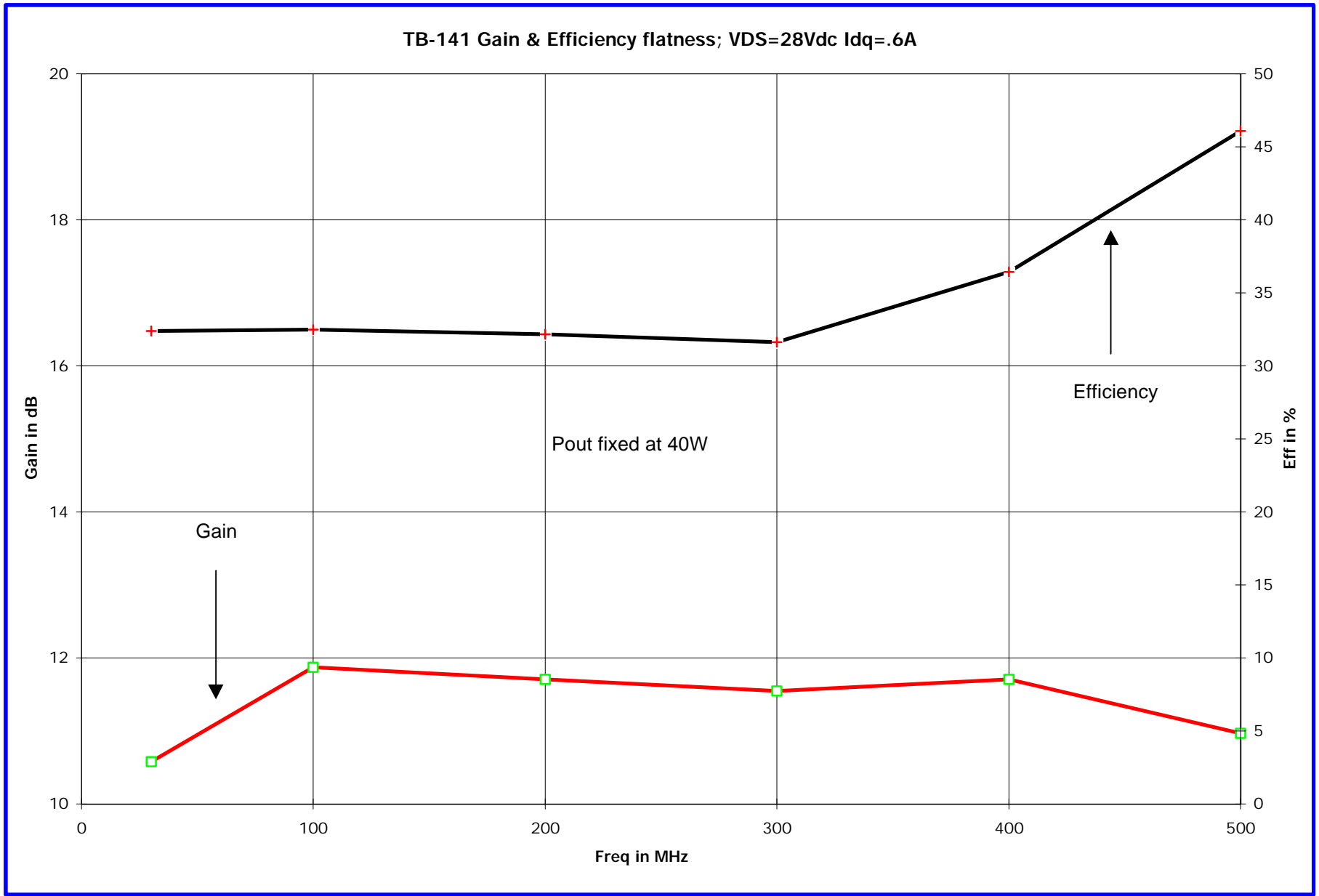
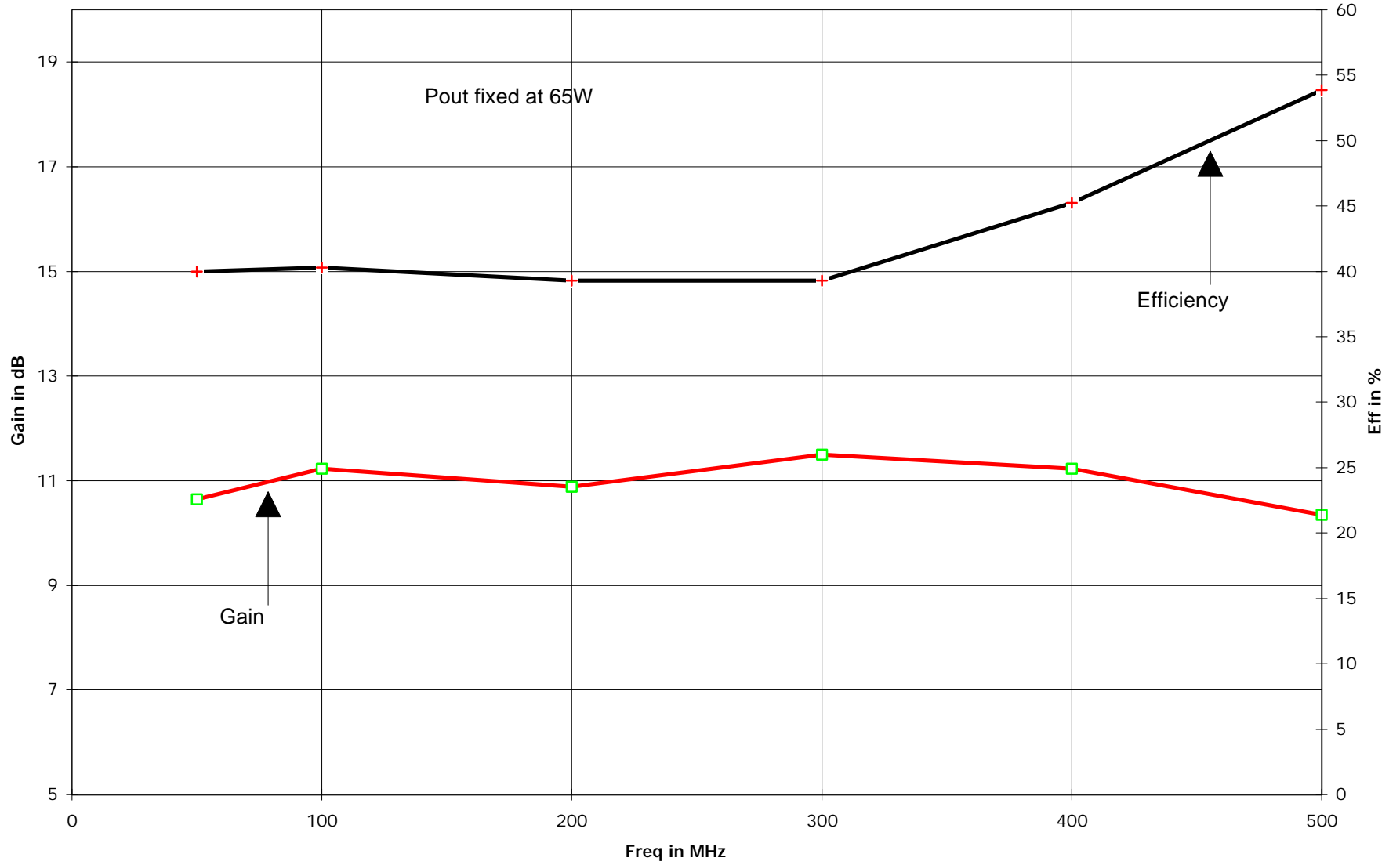
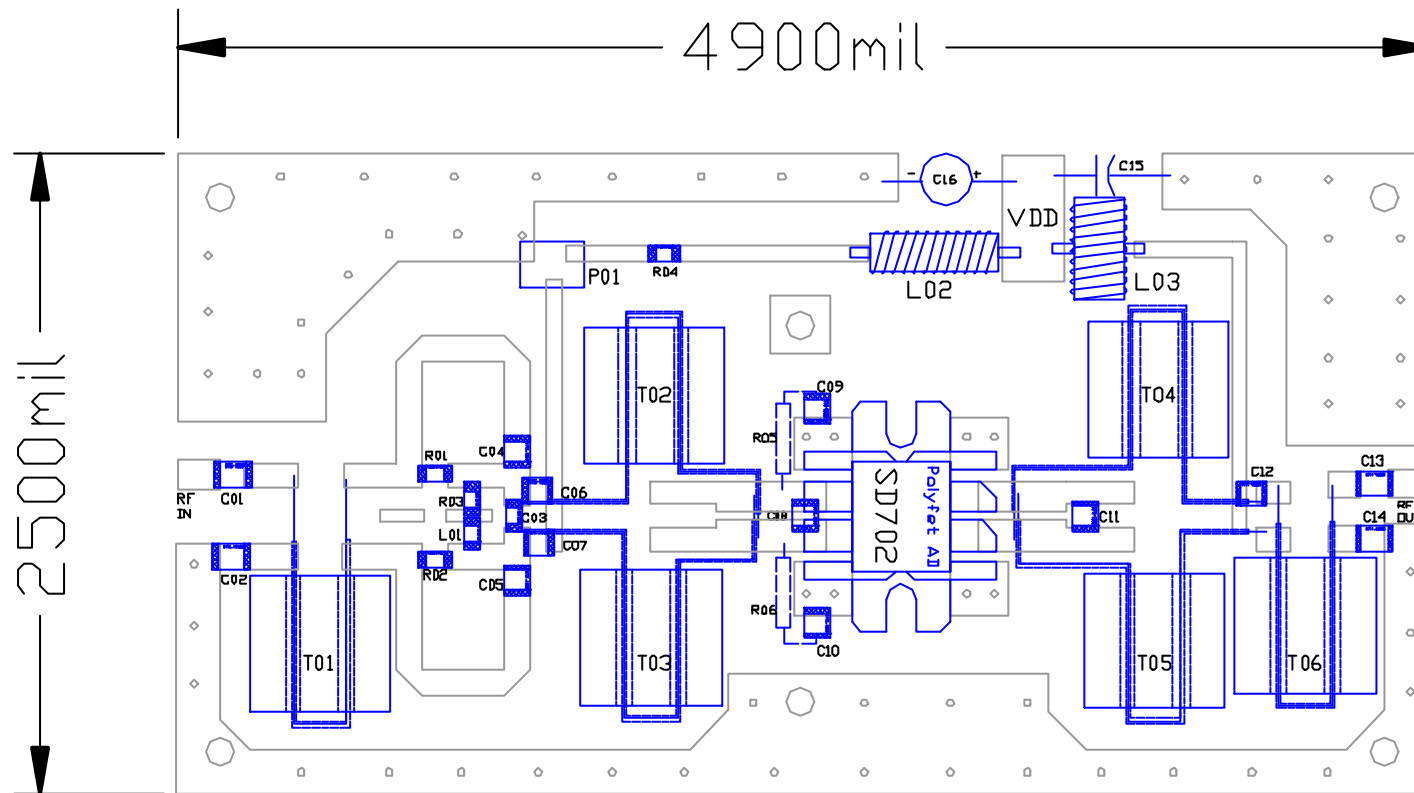


Flatness Chart 1



TB-141 Gain & Efficiency flatness; VDS=28Vdc Idq=.6A





PCB Material: Double Side Teflon  
ER=2.5 H=31 T=0.7

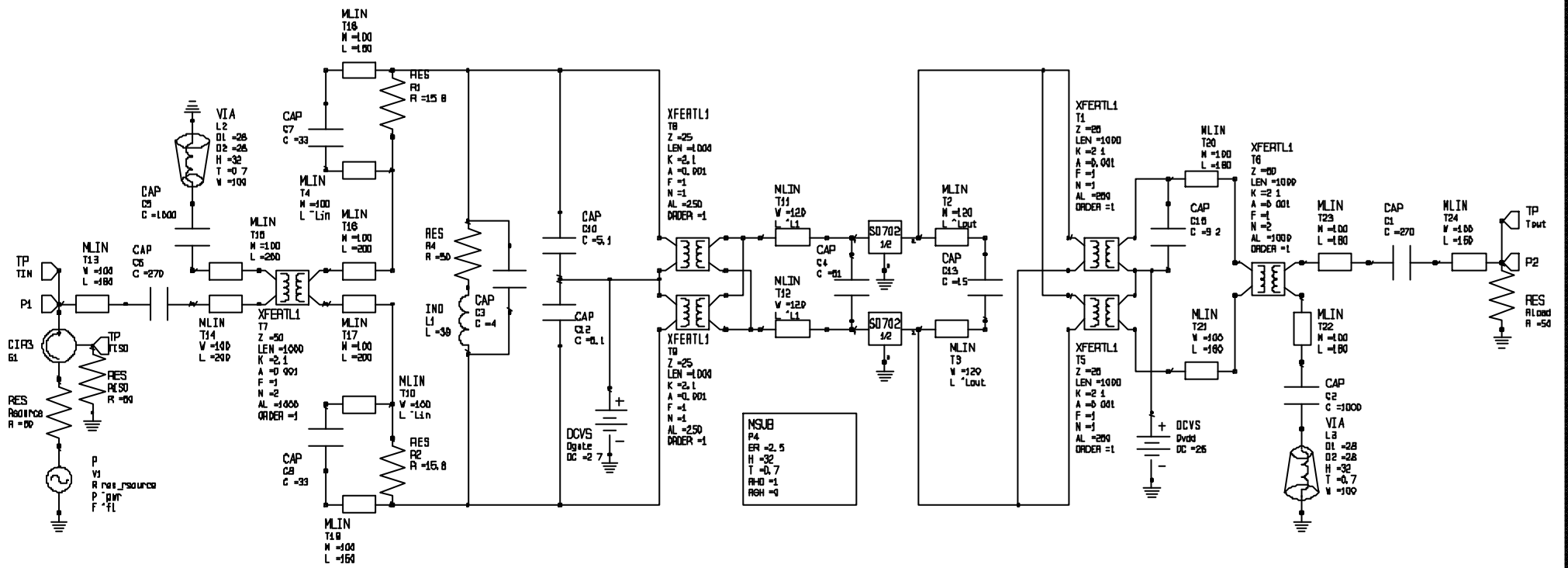
SYMBOL	VALUE	DESCRIPTION
C01, C13	270pf	ATC-100B
C02, C14	1000pf	ATC-100B
C03	4pf	ATC-100B
C04, C05	33pf	ATC-100B
C06, C07	5.1pf	ATC-100B
C08	51pf	ATC-100B
C09, C10	0.01uf	ATC-100B
C11	15pf	ATC-100B
C12	9.2pf	ATC-100B
C15	0.01uf	Tantalum Ele. Cap.
C16	47uf	50V Ele. Cap.
R01, R02	158ohm	1206 Chip Res.
R03	50ohm	1206 Chip Res.
R04	5.6k	1206 Chip Res.
R05, R06	100ohm	1/8W Metal Film Res.
P01	10k	7x7mm Potentioneter
L01	39rh	1210 Chip Incl.
L02	---	#22AVG 10 Turn an 8ohm Res.
L03	---	#22AVG 10 Turn Wrapped Ferrite Toroid
T01, T06	50ohm	Coaxial Transformer
T02, T03, T04, T05	25ohm	Coaxial Transformer
VDD	28V	DC Power Source
Idq	600mA	Bias

DRN BY: ZHOU JUN	01/07/99
CHKD :	
ELECT :	
MECH :	
PRIC :	
QUAL :	
PGMS :	

POLYFET RF DEVICES  
30-500MHz Power Amplifier

SIZE	FSCM NO	TB141	REV
SCALE : 1	: 1	SHEET 1	OF 2

SYMBOL	VALUE	DESCRIPTION
--------	-------	-------------



DRN BY: ZHOU JUN	01/07/99	POLYFET RF DEVICES	
CHKD :		30-500MHz Power Amplifier	
ELECT :		SIZE	FSCM NO
MECH :		TB141	
PRDC :		REV	
QUAL :			
PGMS :		SCALE :	SHEET 2 OF 2